

RANGE CATALOGUE

Ekinox ™

REINVENT THE NEW



 **legrand**®

LIVE THE ADVANTAGE

→ CATALOGUE AND PRICE LIST INSIDE

Why

can't a

single range of
distribution boards

work for all

applications ?

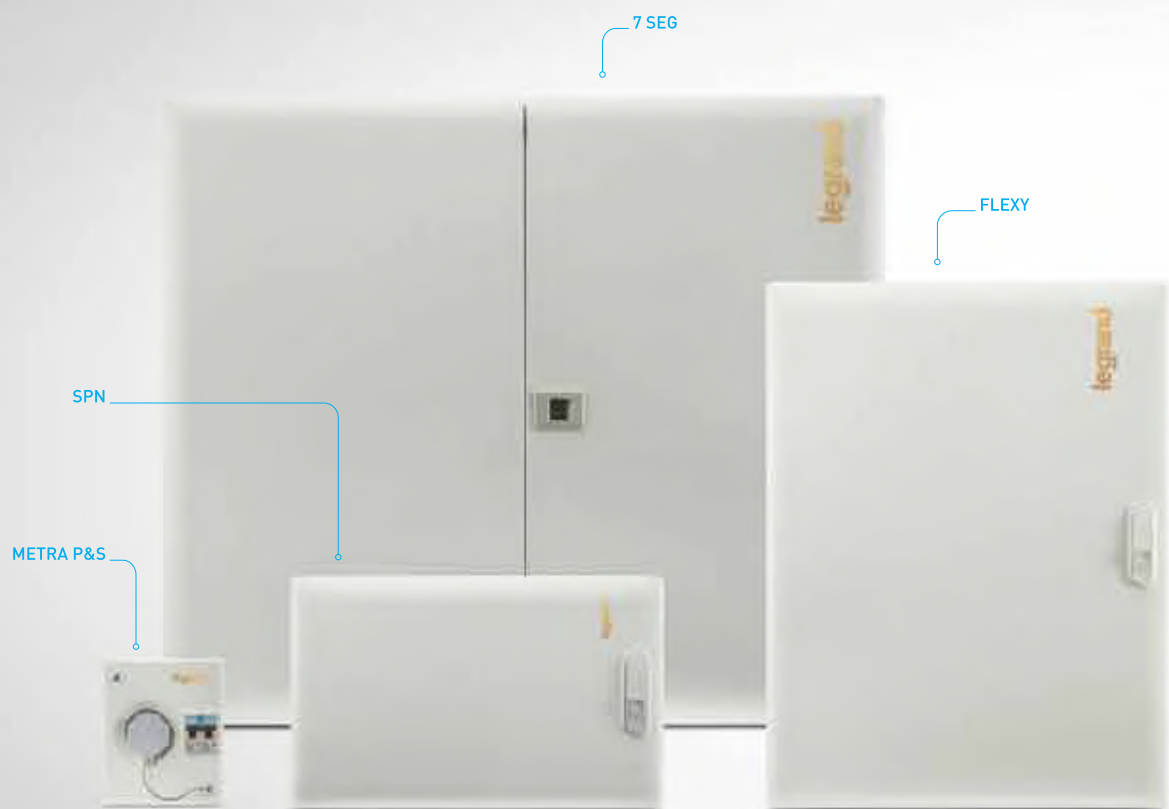
Ekinox³

REINVENT THE NEW



With Ekinox³, we've pushed best to a better level. While others have designed countless variations of distribution boards, no one has really understood the needs and complexities of projects with variable power requirements.

Here's how Ekinox³ reinvented energy distribution



VTPN MCCB + METER BOX

ETPN

VTPN

TEMPRA

ENCLOSURE



Ekinox³ SPN DB's

for DX³ MCB, Isolator, RCCB and RCBO



Ekinox³ ETPN DB's

for DX³ MCB, Isolator, RCCB and RCBO



5076 05



5076 12



5076 61



5076 82

Dimensions p. 11

- As per IEC 61439-3
- Suitable for Flush Mounting and Surface Mounting
- With 100 A Copper Busbar
- With Neutral bar, Earthbar and Cable ties for Cable management
- Fully shrouded Neutral bars
- Prefitted masking sheet
- Reversible Door for IP 43 & IP 54 DB's

Pack	Cat.Nos	IP 30 - #IK 08	Number of modules	MRP* ₹/ unit
1	5076 00	4 way	4	1126
1	5076 01	8 way	8	1410
1	5076 02	12 way	12	1672
1	5076 03	16 way	16	2060
1	5076 04	18 way	18	2400
1	5076 05	20 way	20	2464
IP 43 - #IK 09 with metal door				
1	5076 10	4 way	4	1512
1	5076 11	8 way	8	1874
1	5076 12	12 way	12	2254
1	5076 13	16 way	16	2830
1	5076 14	18 way	18	3100
1	5076 15	20 way	20	3498
IP 43 - #IK 09 with acrylic door				
1	5076 20	4 way	4	1930
1	5076 21	8 way	8	2232
1	5076 22	12 way	12	2714
1	5076 23	16 way	16	3374
1	5076 24	18 way	18	3700
1	5076 25	20 way	20	3954
IP 54 - #IK 09				
1	5076 40	4 way	4	5068
1	5076 41	8 way	8	5956
1	5076 42	12 way	12	6844
1	5076 43	16 way	16	7612
1	5076 44	18 way	18	8000
1	5076 45	20 way	20	8448

Dimensions p. 12-13

- As per IEC 61439-3
- Suitable for Flush Mounting and Surface Mounting
- With 100 A Copper Busbar for each phase
- With Neutral bar, Earthbar and Cable ties for Cable management
- Fully insulated busbar & shrouded Neutral bars
- Improved Pan assembly for ease of installation
- Prefitted masking sheet
- Reversible Door for IP 43 & IP 54 DB's
- With provision for FP MCB/Isolator/RCCB/RCBO as incomer and SP MCB's as outgoing
- Supplied with wireset
- Can be converted to PPI DB at site using conversion kit

Pack	Cat.Nos	IP 30 - #IK 08	Number of modules	MRP* ₹/ unit
1	5076 60	4 way	8+12	3110
1	5076 61	6 way	8+18	3836
1	5076 62	8 way	8+24	4510
1	5076 63	12 way	8+36	6684
1	5076 64	16 way	8+48	8240
1	5076 66	20 way	8+60	11494
IP 43 - #IK 09 with metal door				
1	5076 70	4 way	8+12	3698
1	5076 71	6 way	8+18	4560
1	5076 72	8 way	8+24	5466
1	5076 73	12 way	8+36	8190
1	5076 74	16 way	8+48	10154
1	5076 76	20 way	8+60	14216
IP 43 - #IK 09 with acrylic door				
1	5076 80	4 way	8+12	4806
1	5076 81	6 way	8+18	5934
1	5076 82	8 way	8+24	7118
1	5076 83	12 way	8+36	10916
1	5076 84	16 way	8+48	13100
1	5076 86	20 way	8+60	18340
IP 54 - #IK 09				
1	5076 90	4 way	8+12	12074
1	5076 91	6 way	8+18	14530
1	5076 92	8 way	8+24	15892
1	5076 93	12 way	8+36	22398
1	5076 94	16 way	8+48	26878
1	5076 96	20 way	8+60	33630

Ekinox³ Flexy DB

for DX³ DIN modular products



Ekinox³ TPN DB-VTPN DB's

for DX³ MCB, Isolator, RCCB and RCBO



5077 01



5077 11

Dimensions p. 14-15

- As per IEC 61439-3
- Suitable for Flush Mounting and Surface Mounting
- Completely flexible to organise the distribution as per site requirements
- Busbars to be selected as per distribution requirements
- With Neutral and Earth bars
- Fully shrouded Neutral bars
- Improved Pan assembly for ease of installation
- Prefitted masking sheet
- Reversible door for IP 43

Pack	Cat.Nos	IP 30 - #IK 08	Number of modules	MRP* ₹/ unit
1	5077 01	2 row of 14 modules	28	3940
1	5077 02	3 row of 14 modules	42	4728
1	5077 03	4 row of 14 modules	56	5418
IP 43 - #IK 09 with metal door				
1	5077 05	2 row of 14 modules	28	4644
1	5077 06	3 row of 14 modules	42	5580
1	5077 07	4 row of 14 modules	56	6078
1	5077 12	3 row of 14 modules MCCB for DPX ³ 160 MCCB	42	6136
IP 43 - #IK 09 with acrylic door				
1	5077 09	2 row of 14 modules	28	4912
1	5077 10	3 row of 14 modules	42	6028
1	5077 11	4 row of 14 modules	56	6824
1	5077 13	3 row of 14 modules MCCB for DPX ³ 160 MCCB	42	7234



5077 20



5077 31

Dimensions p. 16

- As per IEC 61439-3
- Suitable for Flush Mounting and Surface Mounting
- With 100 A Copper Busbar for each phase
- With 2 Neutral bar, 2 Earthbar and Cable ties for Cable management
- Fully insulated busbar & shrouded Neutral bars
- Improved Pan assembly for ease of installation
- Prefitted masking sheet
- Reversible Door for IP 43 & IP 54 DB's
- With provision for FP MCB/Isolator/RCCB/RCBO as incomer and SP/TP MCB's as outgoing

Pack	Cat.Nos	IP 30 - #IK 08	Number of modules	MRP* ₹/ unit
1	5077 20	4 way	8+12	8670
1	5077 21	6 way	8+18	9538
1	5077 22	8 way	8+24	10586
1	5077 23	12 way	8+36	15288
IP 43 - #IK 09 with metal door				
1	5077 25	4 way	8+12	9114
1	5077 26	6 way	8+18	10026
1	5077 27	8 way	8+24	11594
1	5077 28	12 way	8+36	15600
IP 43 - #IK 09 with acrylic door				
1	5077 30	4 way	8+12	12346
1	5077 31	6 way	8+18	13580
1	5077 32	8 way	8+24	15694
1	5077 33	12 way	8+36	20940
IP 54 - #IK 09				
1	5077 35	4 way	8+12	19558
1	5077 36	6 way	8+18	21514
1	5077 37	8 way	8+24	23526
1	5077 38	12 way	8+36	31348

Ekinox³ TPN DB-VTPN DPX³ 160 MCCB DB's



Ekinox³ TPN DB-VTPN DPX³ 250 MCCB DB's



5077 53

Dimensions p. 17

- As per IEC 61439-3
- Suitable for Flush Mounting and Surface Mounting
- With 250 A Copper Busbar for each phase
- With 2 Neutral bar, 2 Earthbar and Cable ties for Cable management
- Fully insulated busbar & shrouded Neutral bars
- Improved Pan assembly for ease of installation
- Prefitted masking sheet
- Reversible Door for IP 43 & IP 54 DB's
- With provision for DPX³ 160 MCCB as incomer and SP/TP MCB's as outgoing

Pack	Cat.Nos	IP 30 - #IK 08		Number of modules	MRP* ₹/ unit
1	5077 40	4 way	DPX ³ 160+12	10000	
1	5077 41	6 way	DPX ³ 160+18	10800	
1	5077 42	8 way	DPX ³ 160+24	11836	
1	5077 43	12 way	DPX ³ 160+36	17892	
IP 43 - #IK 09 with metal door					
1	5077 45	4 way	DPX ³ 160+12	10984	
1	5077 46	6 way	DPX ³ 160+18	12480	
1	5077 47	8 way	DPX ³ 160+24	13734	
1	5077 48	12 way	DPX ³ 160+36	18368	
IP 54 - #IK 09					
1	5077 50	4 way	DPX ³ 160+12	22506	
1	5077 51	6 way	DPX ³ 160+18	25880	
1	5077 52	8 way	DPX ³ 160+24	27054	
1	5077 53	12 way	DPX ³ 160+36	36332	



5077 55

Dimensions p. 17

- As per IEC 61439-3
- Suitable for Flush Mounting and Surface Mounting
- With 250 A Copper Busbar for each phase
- With 2 Neutral bar, 2 Earthbar and Cable ties for Cable management
- Fully insulated busbar & shrouded Neutral bars
- Improved Pan assembly for ease of installation
- Prefitted masking sheet
- Reversible Door for IP 43 & IP 54 DB's
- With provision for DPX³ 250 MCCB as incomer and SP/TP MCB's as outgoing

Pack	Cat.Nos	IP 30 - #IK 08		Number of modules	MRP* ₹/ unit
1	5077 55	4 way	DPX ³ 250+12	18216	
1	5077 56	8 way	DPX ³ 250+24	19554	
1	5077 57	12 way	DPX ³ 250+36	21794	
IP 43 - #IK 09 with metal door					
1	5077 58	4 way	DPX ³ 250+12	20336	
1	5077 59	8 way	DPX ³ 250+24	23746	
1	5077 60	12 way	DPX ³ 250+36	25026	
IP 54 - #IK 09					
1	5077 61	4 way	DPX ³ 250+12	31730	
1	5077 62	8 way	DPX ³ 250+24	35834	
1	5077 63	12 way	DPX ³ 250+36	41962	

Ekinox³ TPN DB-Phase Selector DB's

for DX³ MCB, Isolator, RCCB and RCBO



Ekinox³ TPN DB - 7 segment DB's

for DX³ MCB, Isolator, RCCB and RCBO



5077 81

Dimensions p. 18

- As per IEC 61439-3
- With inbuilt 3 nos of 63 A Phase selector switches and 3 Nos Piano Switches
- Suitable for Flush Mounting and Surface Mounting
- With 100 A Copper Busbar for each phase
- With Neutral bar, Earthbar and Cable ties for Cable management
- Fully insulated busbar & shrouded Neutral bars
- With provision for FP MCB/Isolator/RCCB/RCBO as incomer and SP MCB's as outgoing
- Supplied with wire set

Pack	Cat.Nos	IP 30 - #IK 08	Number of modules	MRP* ₹/ unit
1	5077 70	4 way	8+12	12104
1	5077 71	6 way	8+18	12874
1	5077 72	8 way	8+24	14262
1	5077 73	12 way	8+36	15660
IP 43 - #IK 09 with metal door				
1	5077 80	4 way	8+12	13092
1	5077 81	6 way	8+18	13302
1	5077 82	8 way	8+24	14252
1	5077 83	12 way	8+36	16046



5078 86

Dimensions p. 18

- As per IEC 61439-3
- Separate compartment for incomer, sub-incomer & outgoing devices
- Suitable for Flush Mounting and Surface Mounting
- With 100 A Copper Busbar for each phase
- With Neutral bar, Earthbar and Cable ties for Cable management
- Fully insulated busbar & shrouded Neutral bars
- With provision for FP MCB/Isolator/RCCB/RCBO as incomer and SP MCB's as outgoing
- Supplied with wire set
- DB with phase segmentation and separation between incomer and Outgoings

Pack	Cat.Nos	IP 30 - #IK 08	Number of modules	MRP* ₹/ unit
1	5078 80	4 way	8+12+12	8794
1	5078 81	6 way	8+12+18	9456
1	5078 82	8 way	8+12+24	10274
1	5078 83	12 way	8+12+36	11826
IP 43 - #IK 09 with metal door				
1	5078 85	4 way	8+12+12	9612
1	5078 86	6 way	8+12+18	10828
1	5078 87	8 way	8+12+24	12092
1	5078 88	12 way	8+12+36	15432

Ekinox³ TPN DB - 7 segment DB's for 160 A DPX³ MCCB



Ekinox³ Metra Plug & Socket DB's for DX³ MCB, RCCB and RCBO



5078 95

Dimensions p. 19

- As per IEC 61439-3
- DB with phase segmentation and separation between incomer and Outgoings
- Suitable for Flush Mounting and Surface Mounting
- With 100 A Copper Busbar for each phase
- With Neutral bar, Earthbar and Cable ties for Cable management
- Fully Color Shrouded Insulated bus bar and Neutral bars
- With provision for DPX³ 160 MCCB as incomer DP MCB/Isolator/RCCB/RCBO as sub incomers and SP MCB's as outgoing
- Supplied with wire set

Pack	Cat.Nos	IP 30 - #IK 08	Number of modules	MRP* ₹/ unit
1	5078 90	4 way	DPX ³ 160+12+12	12570
1	5078 91	6 way	DPX ³ 160+12+18	14462
1	5078 92	8 way	DPX ³ 160+12+24	16620
1	5078 93	12 way	DPX ³ 160+12+36	19296

Pack	Cat.Nos	IP 43 - #IK 09 with metal door	Number of modules	MRP* ₹/ unit
1	5078 95	4 way	DPX ³ 160+12+12	13844
1	5078 96	6 way	DPX ³ 160+12+18	15844
1	5078 97	8 way	DPX ³ 160+12+24	18142
1	5078 98	12 way	DPX ³ 160+12+36	20662



5078 14



5078 22

Dimensions p. 19

- As per IEC 61439-3
- Suitable for Flush Mounting and Surface Mounting
- Suitable for protection of appliances like AC/Geyser etc
- Supplied with Neutral Links
- With provision for mounting modular devices

Pack	Cat.Nos	#IK 08	Number of modules	MRP* ₹/ unit
1	5078 10	10 A SP, 2P+E	1	1496
1	5078 11	20 A SP, 2P+E	1	1608
1	5078 14	20 A DP, 2P+E	2	1750
1	5078 17	20 A TP, 3P+E	3	2966
1	5078 18	32 A TP, 3P+E	3	3518
1	5078 20	20 A DP RCBO, 2P+E	4	1696
1	5078 21	20 A FP RCBO, 2P+E	8	2962
1	5078 22	32 A FP RCBO, 3P+E	8	3492

Ekinox³ P-17 Tempra Plug & Socket DB's - for DX³ MCB, RCCB and RCBO



Ekinox³ Metal Enclosures for DX³ MCB, RCCB, RCBO and DPX³ MCCB's



5078 60



5078 62



5078 64



5077 91



5077 93

Dimensions p. 20

- As per IEC 61439-3
- Suitable for Flush Mounting and Surface Mounting
- Supplied with Neutral Links
- With provision for mounting modular devices

Pack	Cat.Nos	*IK 08	Number of modules	MRP* ₹/ unit
1	5078 60	16 A 2P+E-DP	2	2470
1	5078 63	32 A 2P+E-DP	2	2664
1	5078 61	32 A 3P+E-FP	8	3734
1	5078 62	32 A 3P+N+E-FP	8	4852
1	5078 64	63 A 3P+N+E-FP	8	12344

Dimensions p. 20

- As per IEC 61439-3
- For independent mounting of DX³ MCB, RCCB, RCBO, DPX³ 160, DPX³ 250, DPX³ 630 & DRX MCCB's
- *IK 08

Pack	Cat.Nos	IK 08	Number of modules	MRP* ₹/ unit
1	5077 90	SP Enclosure	1	400
1	5077 91	DP Enclosure	2	584
1	5077 92	TP Enclosure	3	584
1	5077 93	FP Enclosure	4	584
1	5077 94	FP RCBO Enclosure	8	990

Pack	Cat.Nos	Metal one way enclosures for MCCB	Number of modules	MRP* ₹/ unit
1	5078 01	DPX ³ 160 MCCB enclosure	3&4	3362
1	5078 02	DPX ³ 250 MCCB enclosure	3&4	5970
1	5078 04	DPX ³ 630 MCCB enclosure	3&4	9050
1	5078 05	DRX 100 MCCB enclosure-TP	3&4	1796

Ekinox³ cable end box



Ekinox³ DBs

meter box



5079 12



5079 16



5079 27

Dimensions p. 21

- Useful for keeping extra cables
- Possible to mount on the top or bottom of the DB
- Provision for mounting terminal blocks
- Can be used as a terminal box adaptor also

Pack	Cat.Nos	For IP 30 DB's	MRP* ₹/ unit
1	5079 10	For SPN 4 W IP30	570
1	5079 12	For SPN 8 W IP30	662
1	5079 14	For SPN 12 W/VTPN/FLEXY	734
1	5079 16	For SPN 16 W/ETPN6 way DB	1034
1	5079 21	For ETPN 4 Way DB	994
1	5079 23	For ETPN 6 Way DB	1034
1	5079 25	For ETPN 8 Way DB	1848
1	5079 27	For ETPN 12 Way DB	2462
1	5079 29	For ETPN 16 Way DB	2462
1	5079 31	For ETPN 18 Way DB	2708
1	5079 33	For ETPN 20 Way DB	2708
1	5079 35	For all VTPN/FLEXY MCB	734
1	5079 37	For all VTPN MCCB DBS	2722
For IP 43 DB's			
1	5079 11	For SPN 4 way DB	662
1	5079 13	For SPN 8 way DB	762
1	5079 15	For SPN 12 way/VTPN/FLEXY DB	856
1	5079 17	For SPN 16 way/ETPN 6 way DB	1210
1	5079 18	For SPN 18 way DB	1240
1	5079 19	For SPN 20 way DB	1270
1	5079 22	For ETPN 4 way DB	1102
1	5079 24	For ETPN 6 way DB	1210
1	5079 26	For ETPN 8 way DB	2122
1	5079 28	For ETPN 12 way DB	2830
1	5079 30	For ETPN 16 way DB	2830
1	5079 32	For ETPN 18 way DB	3110
1	5079 34	For ETPN 20 way DB	3110
1	5079 36	For all VTPN/FLEXY MCB	856
1	5079 38	For all VTPN MCCB DBs	3064



5079 43

Dimensions p. 21

- Suitable for Mounting DX³ Metering products
- Possible to mount on the top or bottom of the DB
- Provision for mounting Ammeter/Voltmeter/ASS/VSS
- *IK09

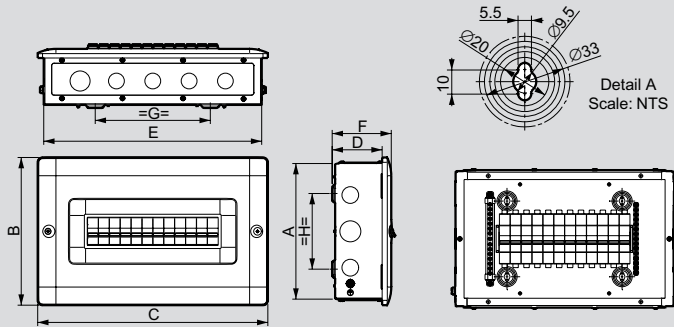
Pack	Cat.Nos	Provision for mounting meters	MRP* ₹/ unit
1	5079 40	For VTPN MCB INCOM IP30	3708
1	5079 41	For VTPN MCB INCOM IP43	4448
1	5079 42	For VTPN MCCB INCOM IP30	4120
1	5079 43	For VTPN MCCB INCOM IP43	4942
Per Phase Isolation kit			
1	5079 44	PPI conversion kit for ETPN 4 way DB	2128
1	5079 45	PPI conversion kit for ETPN 6 way DB	2396
1	5079 46	PPI conversion kit for ETPN 8 way DB	2776
1	5079 47	PPI conversion kit for ETPN 12 way DB	3094
1	5079 48	PPI conversion kit for ETPN 16 way DB	3476
Panel Locks			
1	5079 52	PANEL KNOB FOR IP43	240
1	5079 51	PANEL KNOB WITH KEY	510

Ekinox³ DB's

SPN DB's

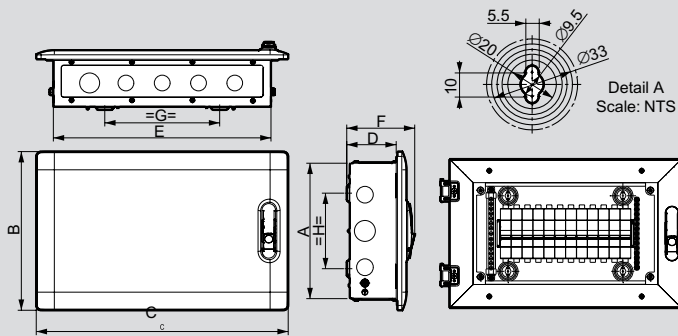
Dimensions

IP30



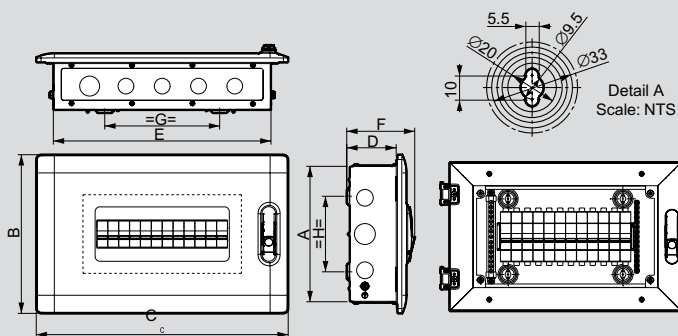
Sr. No.	Type	E	A	D	C	B	F	G	H
1	SPN 4 W IP30	218	224	82.5	238	244	97.5	118	125
2	SPN 8 W IP30	290	224	82.5	310	244	97.5	120	125
3	SPN 12 W IP30	360	224	82.5	380	244	97.5	190	125
4	SPN 16 W IP30	435	224	82.5	455	244	97.5	265	125
5	SPN 18 W IP30	470	224	82.5	490	244	97.5	300	125
6	SPN 20 W IP30	505	224	82.5	525	244	97.5	335	125

IP43/54



Sr. No.	Type	E	A	D	C	B	F	G	H
1	SPN 4 W IP43/54	218	224	82	274.8	262.4	112	118	125
2	SPN 8 W IP43/54	290	224	82	346.8	262.4	112	120	125
3	SPN 12 W IP43/54	360	224	82	416.8	262.4	112	190	125
4	SPN 16 W IP43/54	435	224	82	491.8	262.4	112	265	125
5	SPN 18 W IP43/54	470	224	82	526.8	262.4	112	300	125
6	SPN 20 W IP43/54	505	224	82	561.8	262.4	112	335	125

IP43 Acrylic Door



Sr. No.	Type	E	A	D	C	B	F	G	H
1	SPN 4 W IP43 ACRY	218	224	82	274.8	262.4	112	118	125
2	SPN 8 W IP43 ACRY	290	224	82	346.8	262.4	112	120	125
3	SPN 12 W IP43 ACRY	360	224	82	416.8	262.4	112	190	125
4	SPN 16 W IP43 ACRY	435	224	82	491.8	262.4	112	265	125
5	SPN 18 W IP43 ACRY	470	224	82	526.8	262.4	112	300	125
6	SPN 20 W IP43 ACRY	505	224	82	561.8	262.4	112	335	125

DX³

Easy, Safe Connection

Safety is prioritised with the innovative features of the DX³ products

The quality and hold of the connections are vital for the safety of distribution boards fitted with high breaking capacity MCBs. The connection areas are designed to make installation faster without compromising on the safety.

RELIABLE CONNECTIONS

Compensation for the effect of loosening to ensure excellent hold over time and consistent contact ($I_n \geq 80 A$)

RISING CLAMP TERMINALS

ensure a high quality, durable connection



1,5 modules/pole

Black handle: circuit breakers
Grey handle: switches

Breaking capacity

- 16 kA ■
- 25 kA ■
- 36 kA ■
- 50 kA ■



RETRACTABLE INSULATING SHIELDS

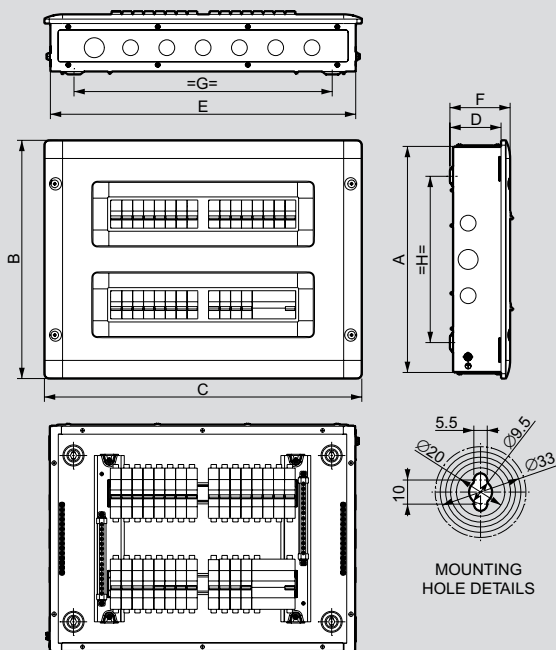
With the integrated retractable insulating shields, no additional accessories are needed to isolate the connections on all breaking capacities and high ratings of the 1.5 modules/pole ($I_n \leq 63 A$) circuit breakers.

Ekinox³ DB's

ETPN DB's

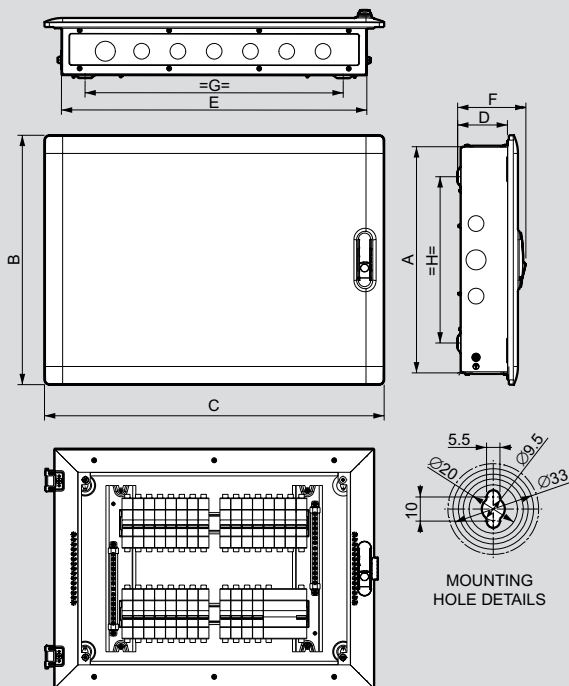
Dimensions

IP30



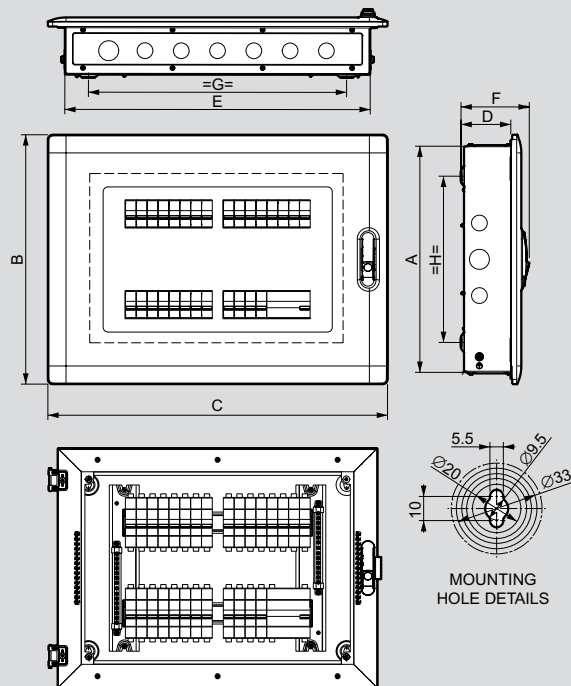
Sr. No.	ETPN Type	E	A	D	C	B	F	G	H
1	ETPN 4W IP30	400	374	82.5	420	394	97.5	322	275
2	ETPN 6W IP30	435	374	82.5	455	394	97.5	357	275
3	ETPN 8W IP30	505	374	82.5	525	394	97.5	427	275
4	ETPN 12W IP30	650	374	82.5	670	394	97.5	572	275
5	ETPN 16W IP30	886	374.4	82.5	906	394	97.5	766	275
6	ETPN 20W IP30	1030	374.4	82.5	1050	394	97.5	910	275

IP43/54



Sr. No.	ETPN Type	E	A	D	C	B	F	G	H
1	ETPN 4W IP43/54	400	374	82	456.8	412.4	112	322	275
2	ETPN 6W IP43/54	435	374	82	491.8	412.4	112	357	275
3	ETPN 8W IP43/54	505	374	82	561.8	412.4	112	427	275
4	ETPN 12W IP43/54	650	374	82	706.8	412.4	112	572	275

IP43 ACRY



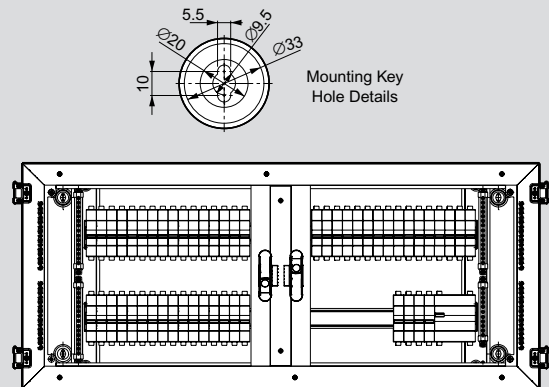
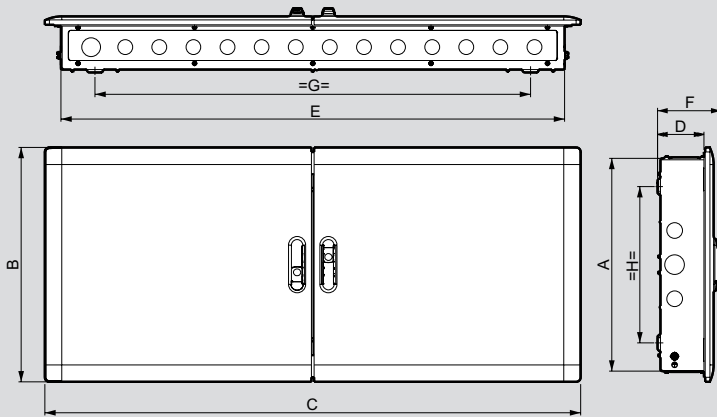
Sr. No.	ETPN Type	E	A	D	C	B	F	G	H
1	ETPN 4W IP43 ACRY	400	374	82	456.8	412.4	112	322	275
2	ETPN 6W IP43 ACRY	435	374	82	491.8	412.4	112	357	275
3	ETPN 8W IP43 ACRY	505	374	82	561.8	412.4	112	427	275
4	ETPN 12W IP43 ACRY	650	374	82	706.8	412.4	112	572	275

Ekinox³ DB's

ETPN DB's

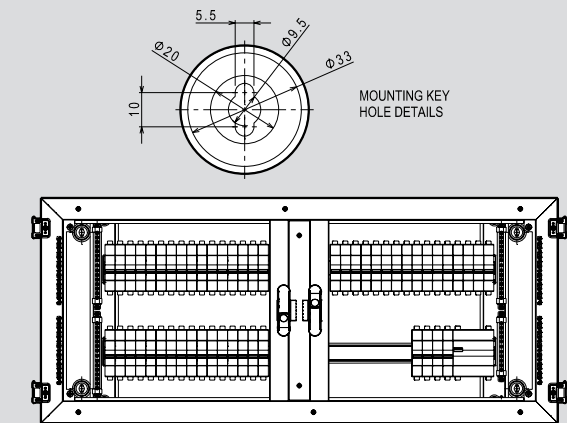
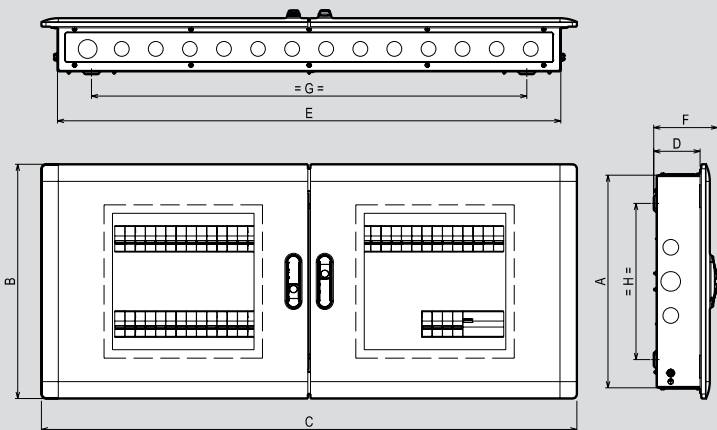
■ Dimensions

16-20 W IP43/54



Sr. No.	ETPN Type	E	A	D	C	B	F	G	H
1	ETPN 16 W IP43/54	886	374.4	82	942.8	412.4	112	766	275
2	ETPN 20W IP43/54	1030	374.4	82	1086.8	412.4	112	910	275

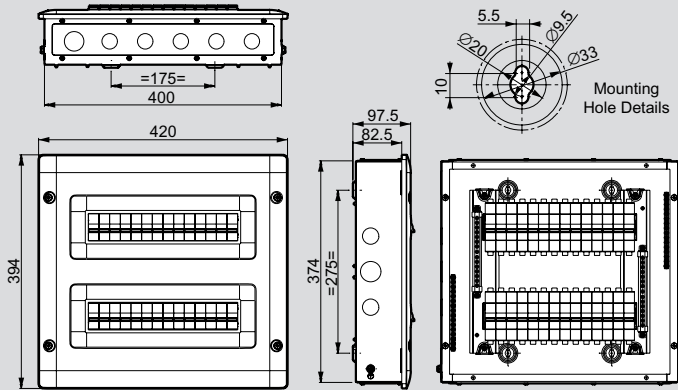
16-20 W Acrylic



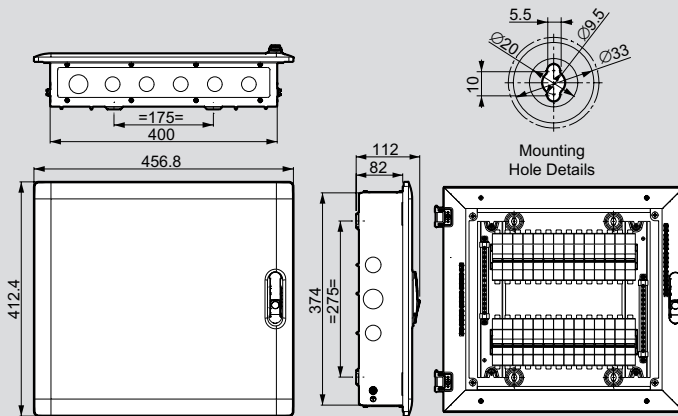
Sr. No.	ETPN Type	E	A	D	C	B	F	G	H
1	ETPN 16 W IP43/54	886	374.4	82	942.8	412.4	112	766	275
2	ETPN 20W IP43/54	1030	374.4	82	1086.8	412.4	112	910	275

Dimensions

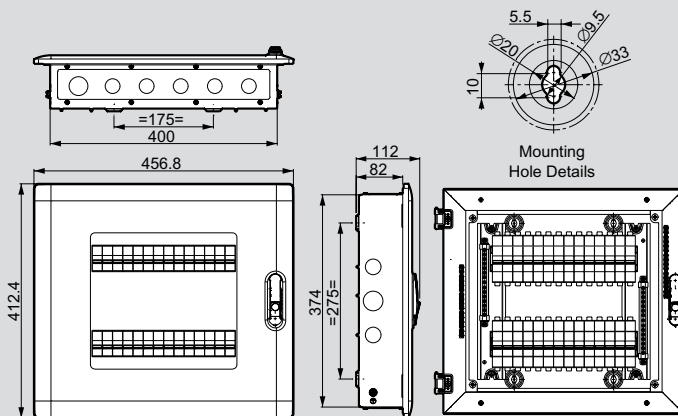
14 M 2 R IP30



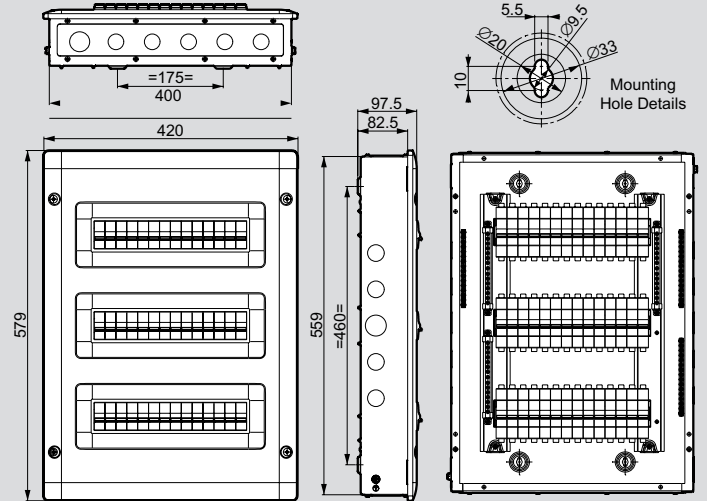
14 M 2 R IP43/54



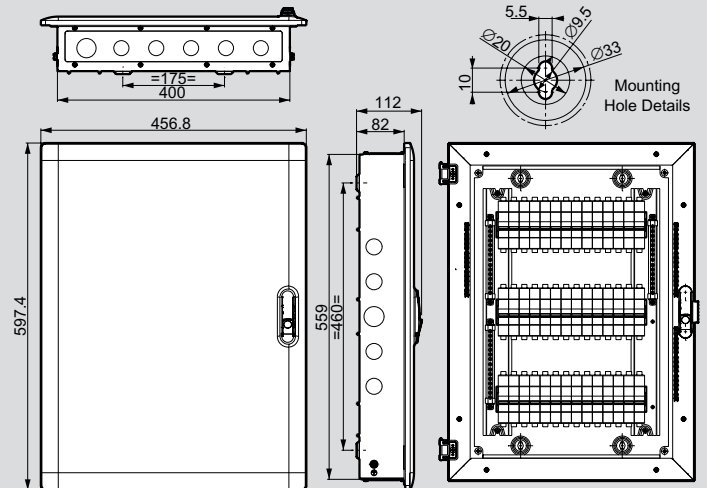
14 M 2 R IP43 Acrylic Door



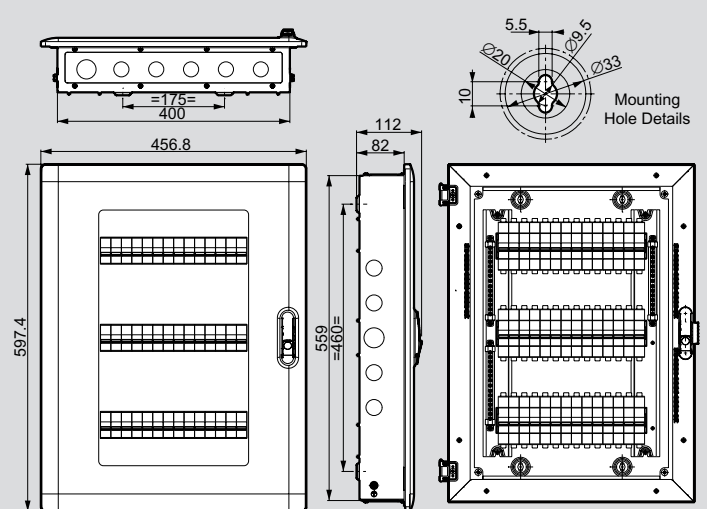
14 M 3 R IP30



14 M 3 R IP43/54



14 M 3 R IP43 Acrylic Door

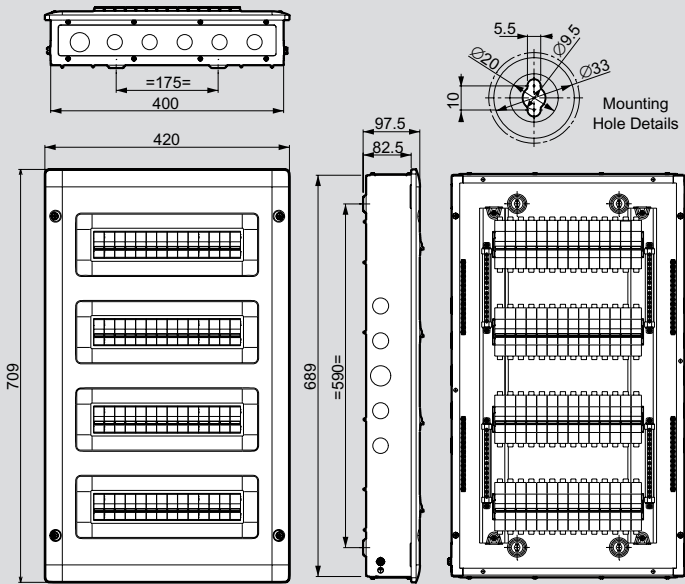


Ekinox³ DB's

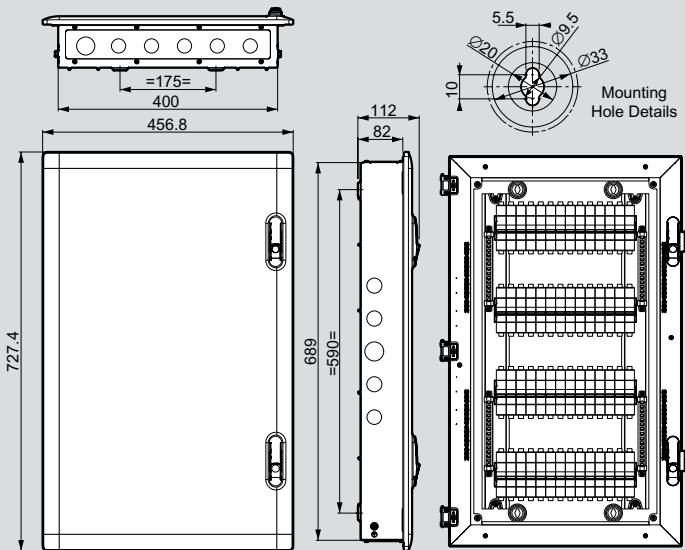
flexy DB's

Dimensions

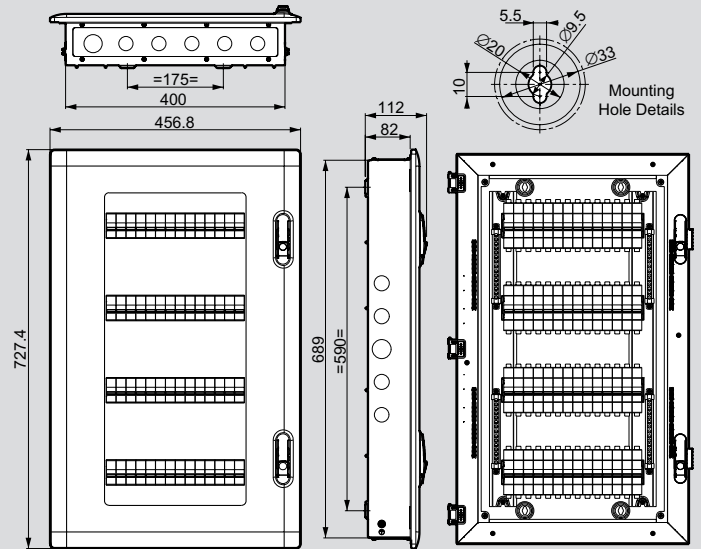
14 M 4 R IP30



14 M 4 R IP43/54



14 M 4 R IP43 Acrylic Door

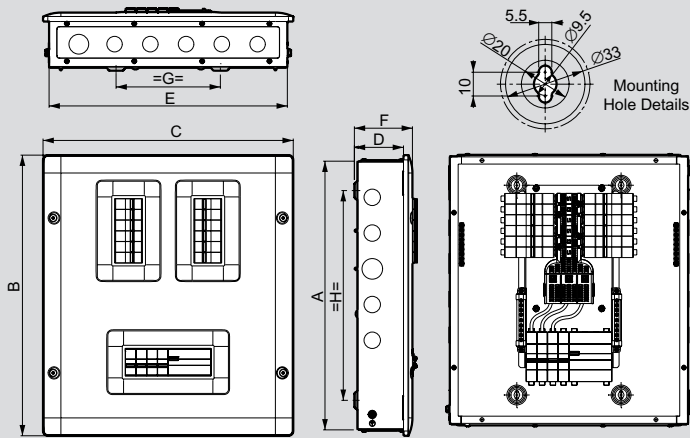


Ekinox³ DB's

VTPN MCB

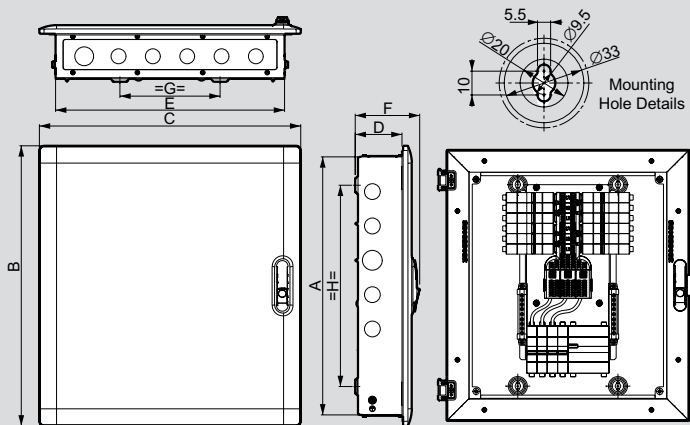
Dimensions

IP30



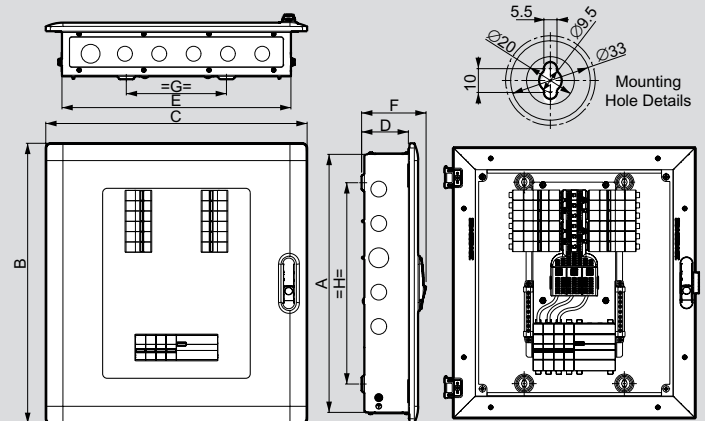
No. of Way	A	B	C	D	E	F	G	H
4	451	471	420	82.5	400	97.5	175	352
6	505	525	420	82.5	400	97.5	175	406
8	559	579	420	82.5	400	97.5	175	460
12	689	709	420	82.5	400	97.5	175	590
16	860	880	420	82.5	400	97.5	175	761

IP43 54



No. of Way	A	B	C	D	E	F	G	H
4	451	489.4	456.8	82	400	112	175	352
6	505	543.4	456.8	82	400	112	175	406
8	559	597.4	456.8	82	400	112	175	460
12	689	727.4	456.8	82	400	112	175	590
16	860	898.4	456.8	82	400	112	175	761

IP43 Acrylic



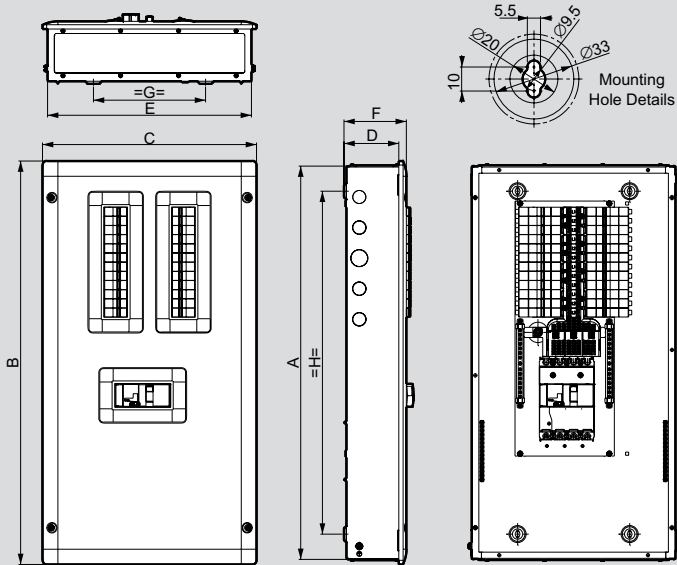
No. of Way	A	B	C	D	E	F	G	H
4	451	489.4	456.8	82	400	112	175	352
6	505	543.4	456.8	82	400	112	175	406
8	559	597.4	456.8	82	400	112	175	460
12	689	727.4	456.8	82	400	112	175	590
16	860	898.4	456.8	82	400	112	175	761

Ekinox³ DB's

VTPN MCCB

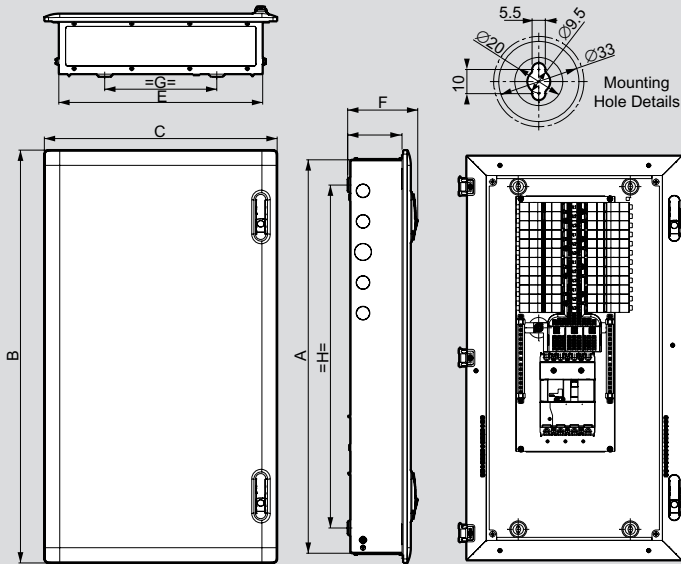
Dimensions

160 A IP30



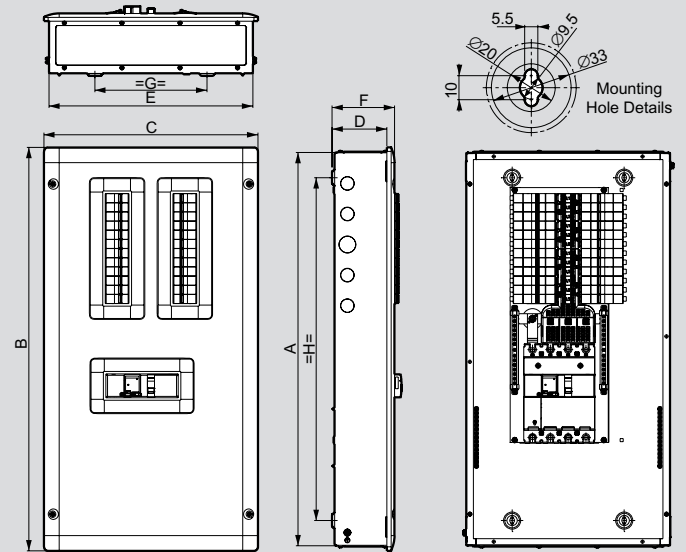
No. of Ways	A	B	C	D	E	F	G	H	Sides	
									Ø33 Knock Out	Ø26 Knock Out
4	664	684	420	107.5	400	122.5	220	565	1	5
6	718	738	420	107.5	400	122.5	220	619	1	5
8	772	792	420	107.5	400	122.5	220	673	1	5
12	880	900	420	107.5	400	122.5	220	781	1	5

160 A IP43 / 54



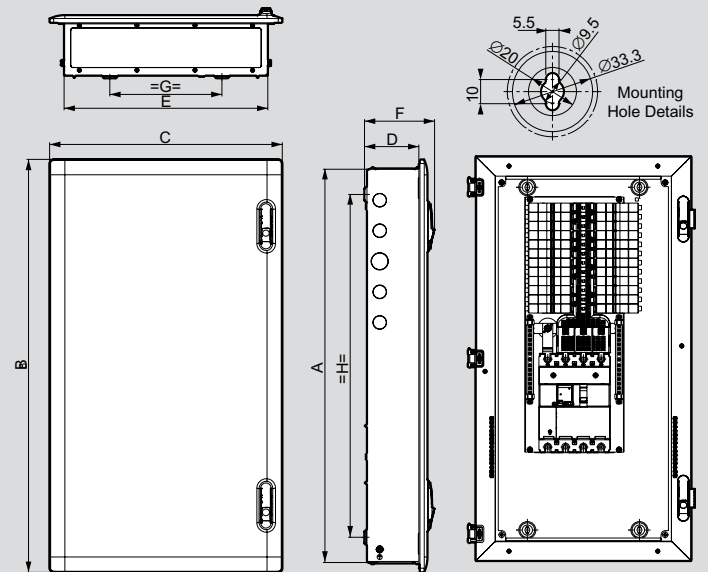
No. of Ways	A	B	C	D	E	F	G	H	Sides	
									Ø33 Knock Out	Ø26 Knock Out
4	664	702.4	456.8	107	400	137	220	565	1	5
6	718	756.4	456.8	107	400	137	220	619	1	5
8	772	810.4	456.8	107	400	137	220	673	1	5
12	880	918.4	456.8	107	400	137	220	781	1	5

250 A IP30



No. of Ways	A	B	C	D	E	F	G	H	Sides	
									Ø33 Knock Out	Ø26 Knock Out
4	664	684	420	107.5	400	122.5	220	565	1	5
6	718	738	420	107.5	400	122.5	220	619	1	5
8	772	792	420	107.5	400	122.5	220	673	1	5
12	880	900	420	107.5	400	122.5	220	781	1	5

250 A IP43/54



No. of Ways	A	B	C	D	E	F	G	H	Sides	
									Ø33 Knock Out	Ø26 Knock Out
4	664	702.4	456.8	107	400	137	220	565	1	5
6	718	756.4	456.8	107	400	137	220	619	1	5
8	772	810.4	456.8	107	400	137	220	673	1	5
12	880	918.4	456.8	107	400	137	220	781	1	5

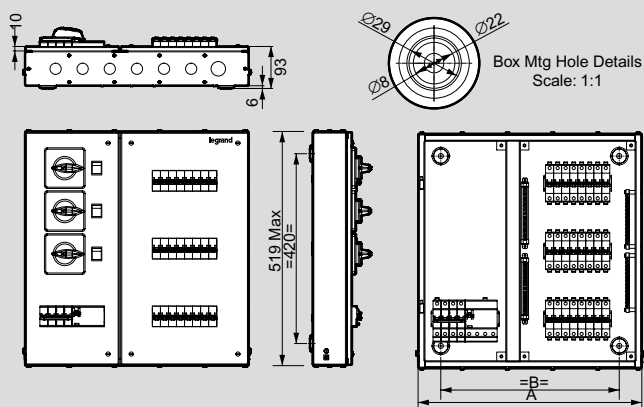
Ekinox³ DB's : phase selector

Ekinox³ DB's : 7 Segment

MCB, MCCB

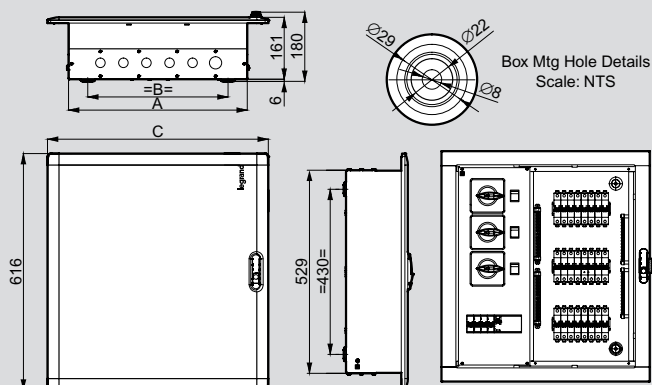
Dimensions

IP30



No. of Way	A	B	Cat.No	Top & Bottom	
				Ø25 Knock Out	Ø32 Knock Out
4	394.4	294	5077 70	5 Nos.	1 No.
6	430.4	330	5077 71	5 Nos.	1 No.
8	466.4	366	5077 72	6 Nos.	1 No.
12	538.4	438	5077 73	7 Nos.	1 No.

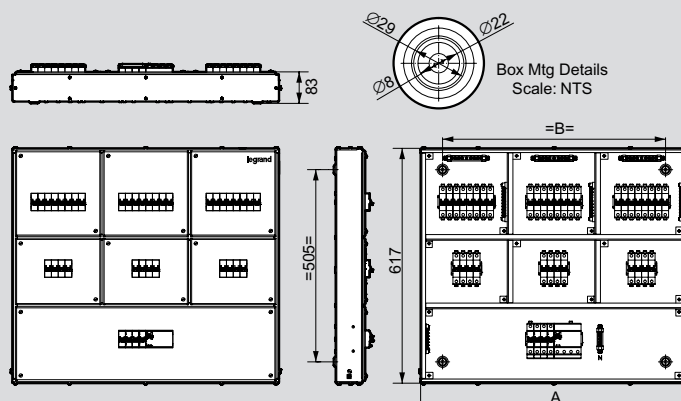
IP43



No. of Way	A	B	C	Top & Bottom	
				Ø25 Knock Out	Ø32 Knock Out
4	394.4	294	502.8	5 Nos.	1 No.
6	430.4	330	538.8	5 Nos.	1 No.
8	466.4	366	584.8	6 Nos.	1 No.
12	538.4	438	646.8	7 Nos.	1 No.

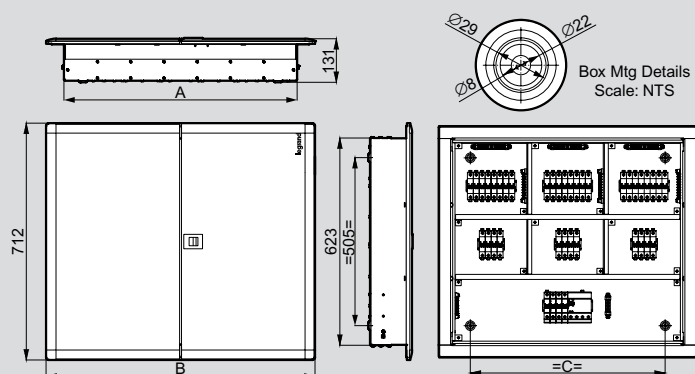
Dimensions

MCB IP30



No. of Way	A	B	Cat.No
4	491	376	5078 80
6	596	481	5078 81
8	701	586	5078 82
12	911	796	5078 83

MCB IP43



No. of Way	A	B	C	Logo Size
4	491	598.6	376	20.9 x 63.8
6	596	703.6	481	30.3 x 92.3
8	701	808.6	586	30.3 x 92.3
12	911	1018.6	796	30.3 x 92.3

Ekinox³ DB's : 7 Segment

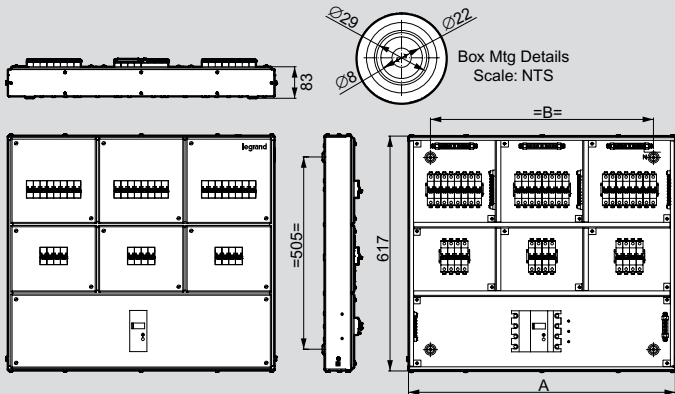
MCB, MCCB

Metra plug and socket DBs

for DX³ MCBs, RCCBs and RCBOs

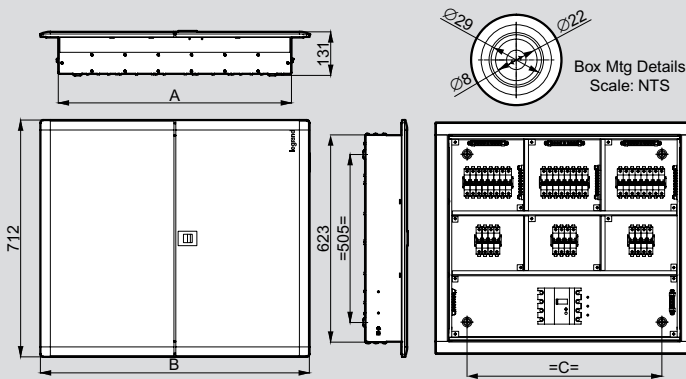
Dimensions

DPX³ 160 A MCCB IP30



No. of Way	A	B	Cat.No
4	491	376	5078 90
6	596	481	5078 91
8	701	586	5078 92
12	911	796	5078 93

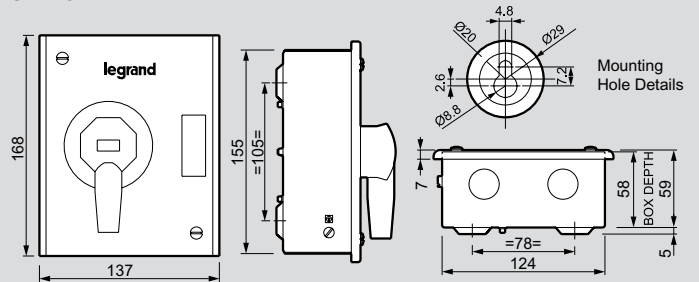
DPX³ 160 A MCCB IP43



No. of Way	A	B	C	Logo Size
4	491	598.6	376	20.9 x 63.8
6	596	703.6	481	30.3 x 92.3
8	701	808.6	586	30.3 x 92.3
12	911	1018.6	796	30.3 x 92.3

Dimensions

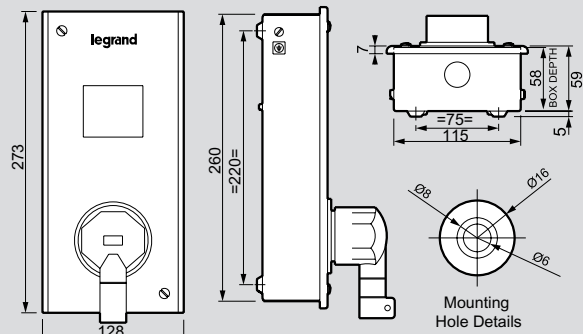
SP MCB



No. of ways	Top Ø 25 Knock out	Bottom Ø 25 Knock out
10 A SP MCB	2 nos.	2 nos.
20 A SP MCB	2 nos.	2 nos.

Box clear depth = 58 mm (Excluding MTG Hole Embossing)
Metra 10 A/20 A SP MCB P&S DB

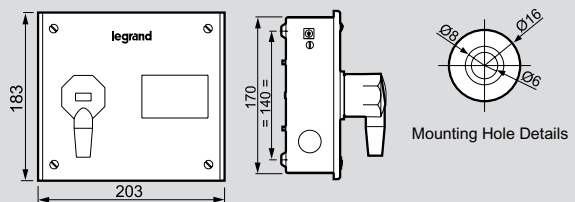
TP MCB



No. of ways	Top Ø 25 Knock out	Bottom Ø 25 Knock out
20 A TP MCB	1 no.	1 no.
32 A TP MCB	1 no.	1 no.

Box clear depth = 58 mm (Excluding MTG Hole Embossing)
Metra 20 A/32 A TP MCB P&S DB

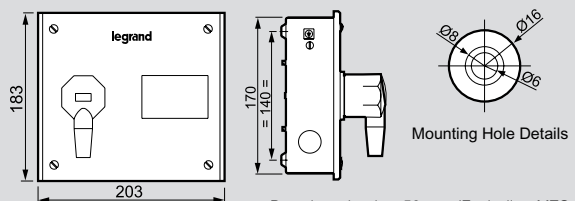
DP RCBO



Box clear depth = 58 mm (Excluding MTG Hole Embossing)
Metra 20 A DP RCBO P&S DB

No. of ways	Top Ø 25 Knock out	Bottom Ø 25 Knock out	Side Ø 25 Knock out
20 A DP RCBO	1 no.	1 no.	1 no.

FP RCBO



Box clear depth = 58 mm (Excluding MTG Hole Embossing)
Metra 20 A/32 A FP RCBO P&S DB

No. of ways	Top Ø 25 Knock out	Bottom Ø 25 Knock out	Side Ø 25 Knock out
20 A FP RCBO	1 no.	1 no.	1 no.
32 A FP RCBO	1 no.	1 no.	1 no.

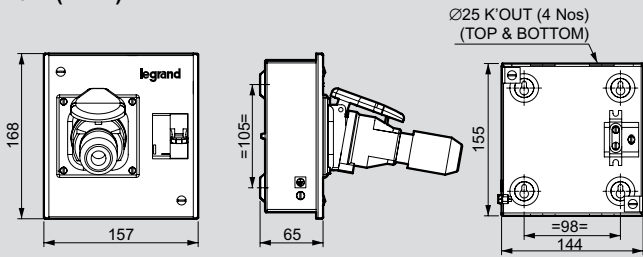
All dimensions are in mm
1 inch = 25.4 mm
Accuracy of dimensions = ± 2 mm

P-17 Tempra & Metra plug and socket DBs

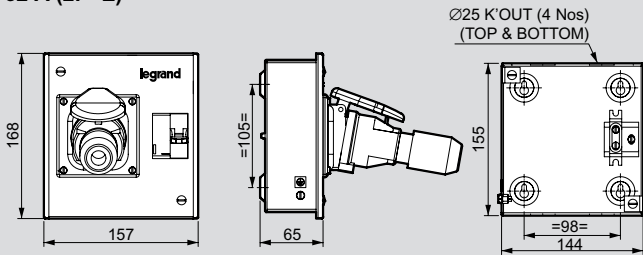
metal one way enclosures for DX³ MCBs, RCCBs and RCBOs

Dimensions

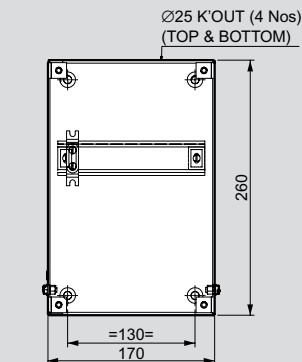
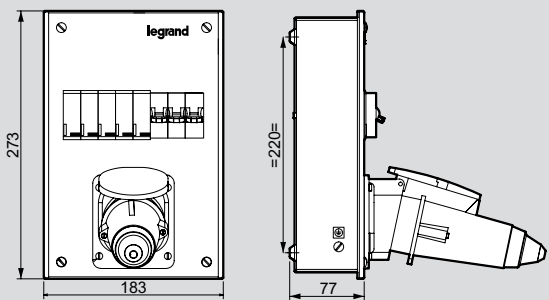
16 A (2P+E)



32 A (2P+E)



32 A (3P+E & 3P+N+E)

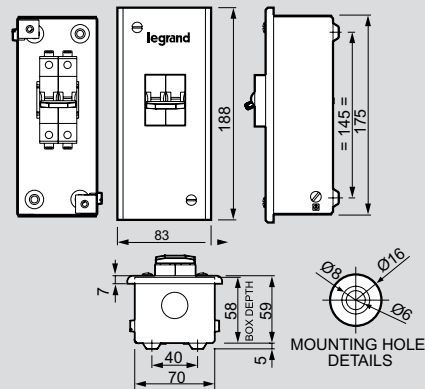


63 A (3P+N+E)



Dimensions

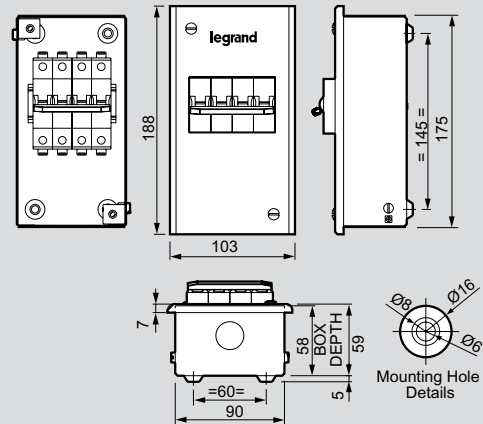
SP/DP MCB



Box clear depth = 58 mm (Excluding MTG Hole Embossing)
Enclosure SP/DP MCB

No. of ways	Top Ø 25 Knock out	Bottom Ø 25 Knock out
SP MCB	1 no.	1 no.
DP MCB	1 no.	1 no.

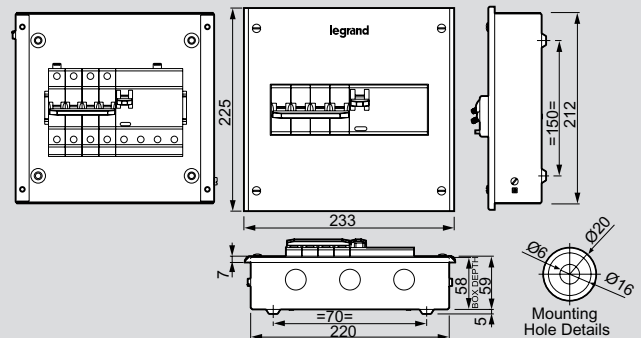
TP/FP MCB



Box clear depth = 58 mm (Excluding MTG Hole Embossing)
Enclosure TP/FP MCB

No. of ways	Top Ø 25 Knock out	Bottom Ø 25 Knock out
TP MCB	1 no	1 no
FP MCB	1 no	1 no

FP RCBO



Box clear depth = 58 mm (Excluding MTG Hole Embossing)
Enclosure FP RCBO

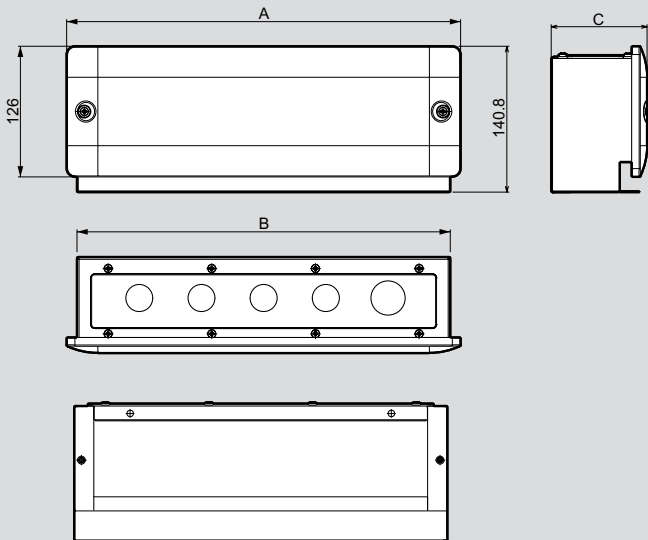
No. of ways	Top Ø 25 Knock out	Bottom Ø 25 Knock out
FP RCBO	3 nos.	3 nos.

cable end box

metering box

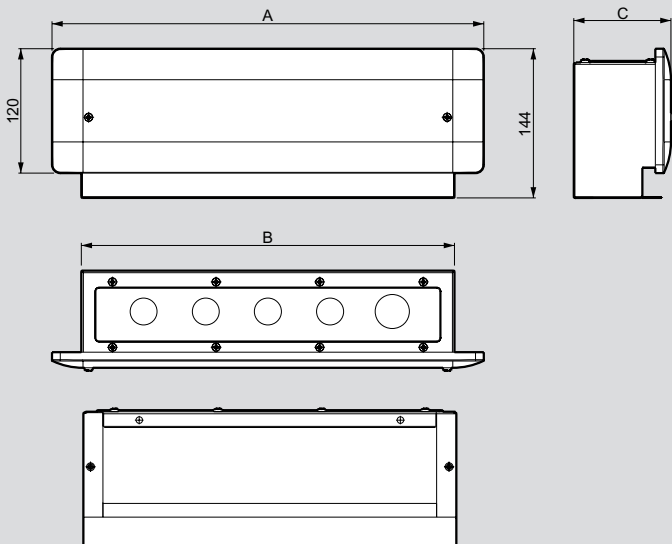
Dimensions

IP30



TYPE	A	B	C	Box Depth
SPN 4 W	238	218	92.5	87
SPN 8 W	310	290	92.5	87
SPN 12 W	380	360	92.5	87
SPN 16 W / ETPN 6 W	455	435	92.5	87
SPN 18 W	490	470	92.5	87
SPN 20 W / ETPN 8 W	525	505	92.5	87
ETPN 12 W	670	650	92.5	87
ETPN 16 W	906	886	92.5	87
ETPN 20 W	1050	1030	92.5	87
FLEXY / ETPN 4 W / VTPN MCB	420	400	92.5	87
VTPN MCCB	420	400	117.5	112

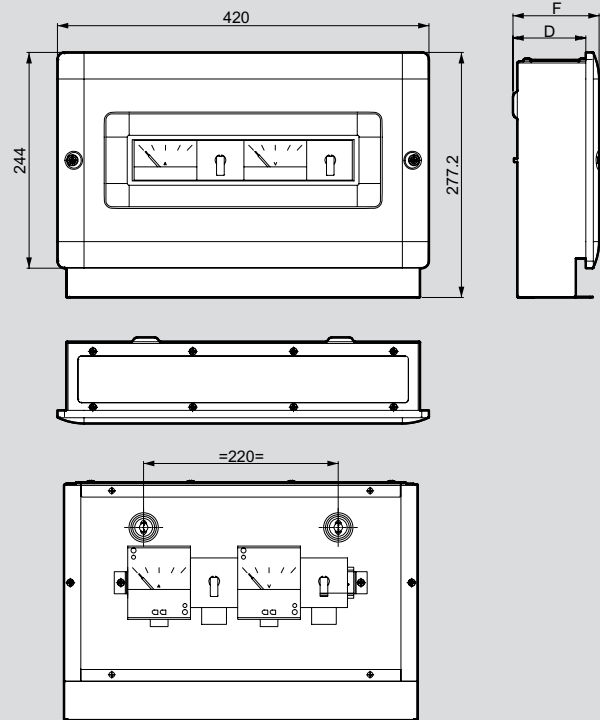
IP43



TYPE	A	B	C	Box Depth
SPN 4 W	238	218	92.5	87
SPN 8 W	310	290	92.5	87
SPN 12 W	380	360	92.5	87
SPN 16 W / ETPN 6 W	455	435	92.5	87
SPN 18 W	490	470	92.5	87
SPN 20 W / ETPN 8 W	525	505	92.5	87
ETPN 12 W	670	650	92.5	87
ETPN 16 W	906	886	92.5	87
ETPN 20 W	1050	1030	92.5	87
FLEXY / ETPN 4 W / VTPN MCB	420	400	92.5	87
VTPN MCCB	420	400	117.5	112

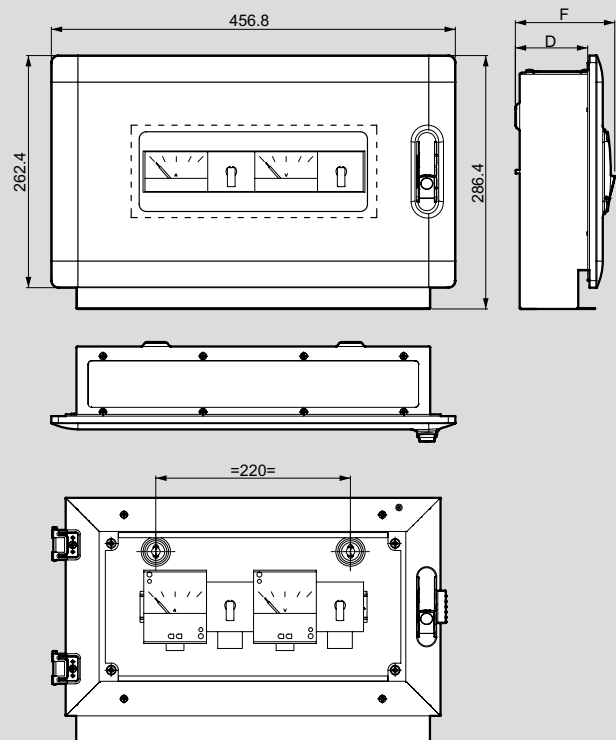
Dimensions

IP30



TYPE	D	F	Box Depth
Meter Box VTPN MCCB	107.5	122.5	112

IP43 Acrylic



TYPE	D	F	Box Depth
Meter Box VTPN MCCB	107	137	112

All dimensions are in mm
1 inch = 25.4 mm
Accuracy of dimensions = ± 2 mm

HEAD OFFICE

61 & 62, 6th Floor, Kalpataru Square, Kondivita Road, Off Andheri-Kurla Road, Andheri (E), MUMBAI - 400 059.
Tel : (022) 3041 6200 | Fax : (022) 3041 6201 | Website : www.legrand.co.in

REGIONAL SALES OFFICES

A-25, Mohan Co-operative
Industrial Estate, Mathura Road,
NEW DELHI - 110 044.
Tel : (011) 2699 0028 / 29 / 30,
3990 2200
Fax : (011) 2699 0047

34, 3rd Floor, Kalpataru Square,
Kondivita Road, Off Andheri-Kurla Road,
Andheri (East),
MUMBAI - 400 059.
Tel : (022) 3385 6200
Fax : (022) 3385 6201

205-208, 2nd Floor, Block - 2,
White House, Kundan Bagh, Begumpet,
HYDERABAD - 500 016.
Tel : (040) 2341 4398 / 67
Fax : (040) 6636 6974

Bhakta Towers, 2nd & 3rd Floor,
Plot No. KB 22, Salt Lake, Sector - 3,
KOLKATA - 700 098.
Tel : (033) 4021 3535 / 36
Fax : (033) 4021 3537

10B, Prestige Center Court,
Office Block Vijaya Forum Mall,
183, N.S.K.Salai, Vadapalani,
CHENNAI - 600 026
Tel : (044) 3024 7200

BRANCH OFFICES

SCO 1-2-3, 2nd Floor, Sector 17B,
CHANDIGARH - 160 017.
Tel : (0172) 305 8631 / 32 / 33 / 34 / 35
Fax : (0172) 501 9008

2nd Floor, Al-Latheef Building,
2/1, Union Street, Off Infantry Road,
BANGALORE - 560 001.
Tel : (080) 2286 1081, 4113 3293 / 4
Fax : (080) 2286 1078

Plot No.95, 2nd Floor, Shreyash Heights,
Ramdas Peth, VIP Road,
NAGPUR - 440 010.
Tel : (0712) 662 7857 / 58
Fax : (0712) 662 7859

507-510, 5th Floor, Soni Paris Point,
Jai Singh Highway, Banipark,
JAIPUR - 302 016.
Tel/Fax : (0141) 511 3129

J. B. Manjooran Estate,
Door No. 50/1107A9, 3rd Floor,
Byepass Junction, Edappally,
KOCHI - 682 024.
Tel : (0484) 2801921, 2802921, 6580921
Fax : (0484) 2801921, 2802921

204-205, Megapolis Square,
579, M G Road,
INDORE - 452 001.
Tel : (0731) 393 1650 / 51 / 52
Fax : (0731) 393 1653

504, Sakar 4,
Opp. M. J. Library, Ellis Bridge,
AHMEDABAD - 380 006, Gujarat
Tel : (079) 2658 6561 / 2
Fax : (079) 2658 6563

B-5, 1st Floor, Thirumalai Towers,
723, Avanashi Road, (Opp. to Hotel Residency),
COIMBATORE - 641 018.
Tel : (0422) 2220283 / 2223634
Fax : (0422) 2223164

MF-2, Datta's Lords House,
Jammi Chettu Street,
VIJAYAWADA - 520 010.
Tel : (0866) 661 1393, 664 6393
Fax : (0866) 669 9393

402, Swastik Chambers,
Near Ashwamegh Marriage Hall,
Behind HP Petrol Pump,
Off Karve Road, Erandwane,
PUNE - 411 004.
Tel : (020) 6729 5600 / 601
Fax : (020) 6729 5604

AREA OFFICES

ABC Business Club 16,
Tagore Villa, Chakrata Road,
DEHRADUN - 248 001. Uttaranchal.
Tel : (0135) 271 5189 / 248 001

House No. 97, Ground Floor,
Rajgarh Main Road,
Opp. City Heart Nursing Home,
GUWAHATI - 781 007.
Tel : (0361) 245 8498

404, Eshwar Plaza,
Dwaraka Nagar, Main Road,
VISHAKHAPATNAM - 530 020.
Tel : (0891) 663 5652
Fax : (0891) 663 9363

Cabin No.104/105, Trade Point,
Ground Floor, Saran Chamber 1,
5, Park Road, Hazratganj,
LUCKNOW - 226 001.
Tel : (0522) 223 9044 / 7285
Fax : (0522) 223 9124

94, Udham Singh Sarani,
Ground Floor, Ashrampara,
SILIGURI - 734 001.
Tel : 94341 91635 / 98009 77780

Plot No. 359,
Saheed Nagar, 2nd Floor,
BHUBANESWAR - 751 007.
Tel : (0674) 254 0623

Cabin No. 9, 2nd Floor,
Madhok Trade Centre,
Madhok Complex, Ferozpur Road,
LUDHIANA - 141 001.
Tel/Fax : (0161) 277 0301 / 304

Aparna Towers, 1st Floor,
2/3, Bypass Road,
MADURAI - 625 010.
Tel/Fax : (0452) 230 8414

Technical assistance from Legrand

Telephonic technical assistance for selection of products, technical information, guidance, wiring diagrams and estimation is now made available to you at each Regional Office. Contact the Technical Officer of Legrand at the following telephone numbers :

• New Delhi : (011) 2699 0028, 3990 2200
• Chennai : (044) 3024 7200

• Kolkata : (033) 4021 3535/36
• Hyderabad : (040) 2341 4398 / 67, 4567 1717

• Mumbai : (022) 3385 6200

For other places, contact the nearest Regional / Branch / Area offices customer.care@legrand.co.in



LIVE THE ADVANTAGE

THE GLOBAL SPECIALIST IN ELECTRICAL AND DIGITAL BUILDING INFRASTRUCTURES