

Process Indicators

- Flush Mounting Version 96X48 mm with 7 segment display
- Thermocouple (J, K, T, R & S) / RTD 3-wire (Pt-100) sensor inputs
- Analog Inputs (0-10 VDC / 0-20mA / 4-20mA), mV (Linear) - 5 to 56mV
- Alarm Outputs, Analog (0-20mA/ 4-20mA or 0-10V/ 0-5V) & Relay 5A for alarm indication
- Configurable Band, Deviation Alarms
- °C & °F temperature unit selectable
- Short depth of 65 mm
- RS 485 Communication
- IP 20 (For terminal and enclosure) & IP 55 (For Front Panel only)




Ordering Information

Cat. No.	Description
PIA200	180-270 VAC, Process Indicator, Analog Input (0-10 VDC / 4-20 mA)
PIT200	180-270 VAC, Process Indicator, Thermocouple & RTD input
PIB110	85-270 VAC/DC, Process Indicator, Analog Input (0-10 VDC / 4-20 mA), Thermocouple & RTD Input, 24 VDC sensor supply
PIB120	85-270 VAC/DC, Process Indicator, Analog Input (0-10 VDC / 4-20 mA), Thermocouple & RTD Input, Alarm Outputs - Analog (0-10 V / 0-5 V, 0-20 mA / 4-20 mA) & Relay 5A for alarm indication, 24 VDC sensor supply
PIB12C	85-270 VAC/DC, Process Indicator, Analog Input (0-10 VDC / 4-20 mA), Thermocouple & RTD Input, Alarm Outputs - Analog (0-10 V / 0-5 V, 0-20 mA / 4-20 mA) & Relay 5A for alarm indication with RS-485 Modbus communication, 24 VDC sensor supply

Process Indicators



Cat. No.	PIA200	PIT200	PIB110	PIB120	PIB12C
Parameters					
Supply Voltage (±)	230V AC, ± 20%		85 to 270V AC/DC		
Frequency	50/60 Hz				
Temperature Sensors/ Inputs	Current, Voltage	Thermocouples: J, K, T, R, S RTD (Pt100) (2 wire & 3 wire)	Thermocouples: J, K, T, R, S RTD input (2 wire & 3 wire) Analog inputs: mV, Current, Voltage		
Measurement Ranges	Voltage : 0 to 10VDC Current : 0 to 20mA and 4 to 20mA	PT100 : -200 to 850 J : -200 to 750 K : -200 to 1350 T : -200 to 400 R & S : 0 to 1750	PT100 : -200°C to 850°C J : -200°C to 750°C K : -200°C to 1350°C T : -200°C to 400°C R & S : 0°C to 1750°C Analog Inputs: Voltage : 0 to 10VDC Current : 0 to 20mA, 4 to 20 mA mV (Linear) : - 5 to 56mV		
Resolution	Decimal point position selectable: Current: 1 / 0.1 / 0.01 / 0.001 Voltage: 1 / 0.1 / 0.01 / 0.001	J, K, T, PT-100: 1°C / 0.1°C R & S: 1°C	J, K, T, PT-100: 1°C / 0.1°C R & S: 1°C Analog Input: 1° / 0.1° / 0.01 / 0.001	J, K, T, PT-100: 1° / 0.1° R & S: 1° Decimal point position selectabel for analog input: Voltage: 1 / 0.1 / 0.01 / 0.001 Current: 1 / 0.1 / 0.01 / 0.001	
Temperature Unit	N.A		°C /°F (User selectable)		
Error Indications	Sensor break, Over range and Under range				
Display	4 Digit, 7 Segment display, Red color				
Keypad	4 keys for digital setting				
Alarm output 1	N.A		NO & NC 5A @ 250VAC/ 24V DC (SPDT)		
Alarm output 2	N.A				
Analog DC output	N.A		Re-transmission : Current: 0 to 20mA/ 4 to 20mA or Voltage: 0 to 10V/ 0 to 5V		
Analog output update rate	N.A		100 msec.		
Alarm types	N.A		Absolute (High/Low/Band), Deviation (High/Low/Band)		
Sensor supply	24 VDC				
Operating Temperature	0°C to 50°C (32°F to 122°F)				
Storage Temperature	-20°C to 75°C (-4°F to 167°F)				
Humidity (Non-condensing)	95% RH (non-condensing)				
Enclosure	Flame Retardant UL94V0				
Dimensions (W x H x D) (in mm)	96 x 48 x 70.6				
Weight (Unpacked)	64g				
Mounting	Flush / Panel Mounting				
Certification					
Degree of Protection	IP 20 Terminal & Enclosure, IP 55 for Front plate				

EMI / EMC

Harmonic current emissions	IEC 61000-3-2
ESD	IEC 61000-4-2
Radiated Susceptibility	IEC 61000-4-3
Electrical Fast Transients	IEC61000-4-4
Surge	IEC61000-4-5
Conducted Susceptibility	IEC 61000-4-6
Voltage Dip (AC) & Short interruptions	IEC 61000-4-11
Conducted Emission	CISPR 11
Radiated Emission	CISPR 11
Voltage Fluctuations and flicker	IEC 61000-3-3

Safety Compliance:

Test Voltage	IEC 60255-5
Impulse voltage	IEC 60255-5
Single Fault	IEC 61010-1
Insulation Resistance	UL 508, > 100MΩ
Leakage Current	UL 508, < 3 mA

Environmental

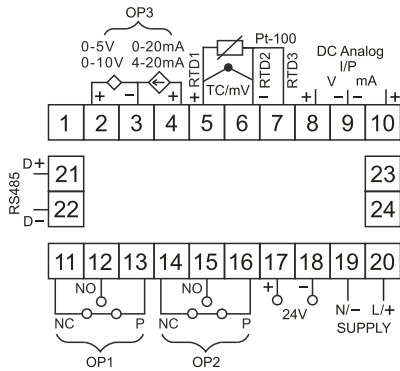
Cold Heat	IEC 60068-2-1
Dry Heat	IEC 60068-2-2
Component Temperature Rise	IEC 61010-1

Process Indicator Series

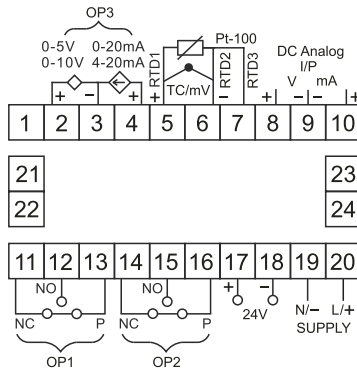


CONNECTION DIAGRAM

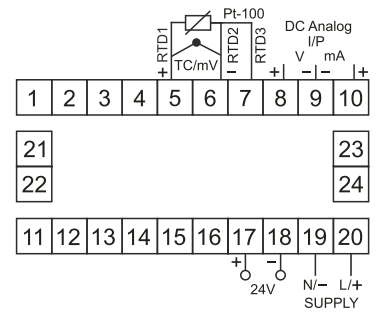
PIB12C



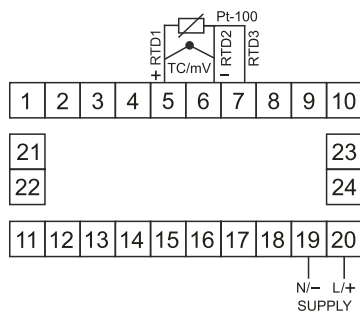
PIB120



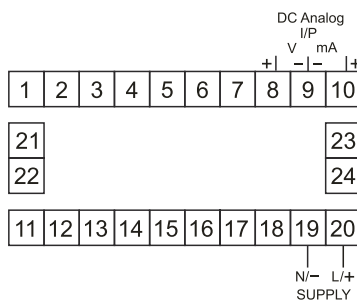
PIB110



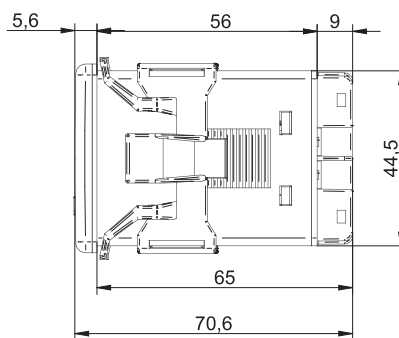
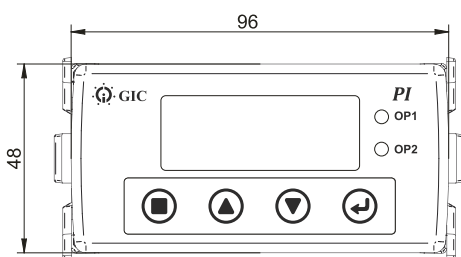
PIT200



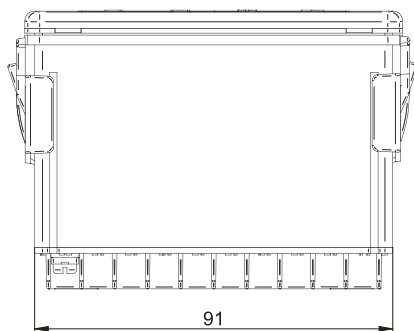
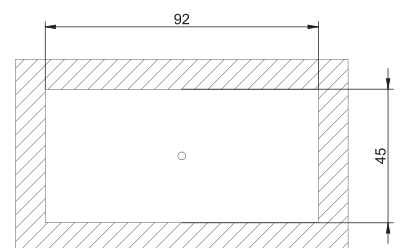
PIA200





MOUNTING DIMENSION (mm)



Panel Cutout



TERMINAL TORQUE & CAPACITY

 Ø 4 5.0mm Combi Head Bit/Flat	0.5 N.m (4.4 Lb.in) to 0.7 N.m (6.2 Lb. in)
 AWG	2 x 2.5 mm ² Solid/Stranded Wire 1 x 20 to 12